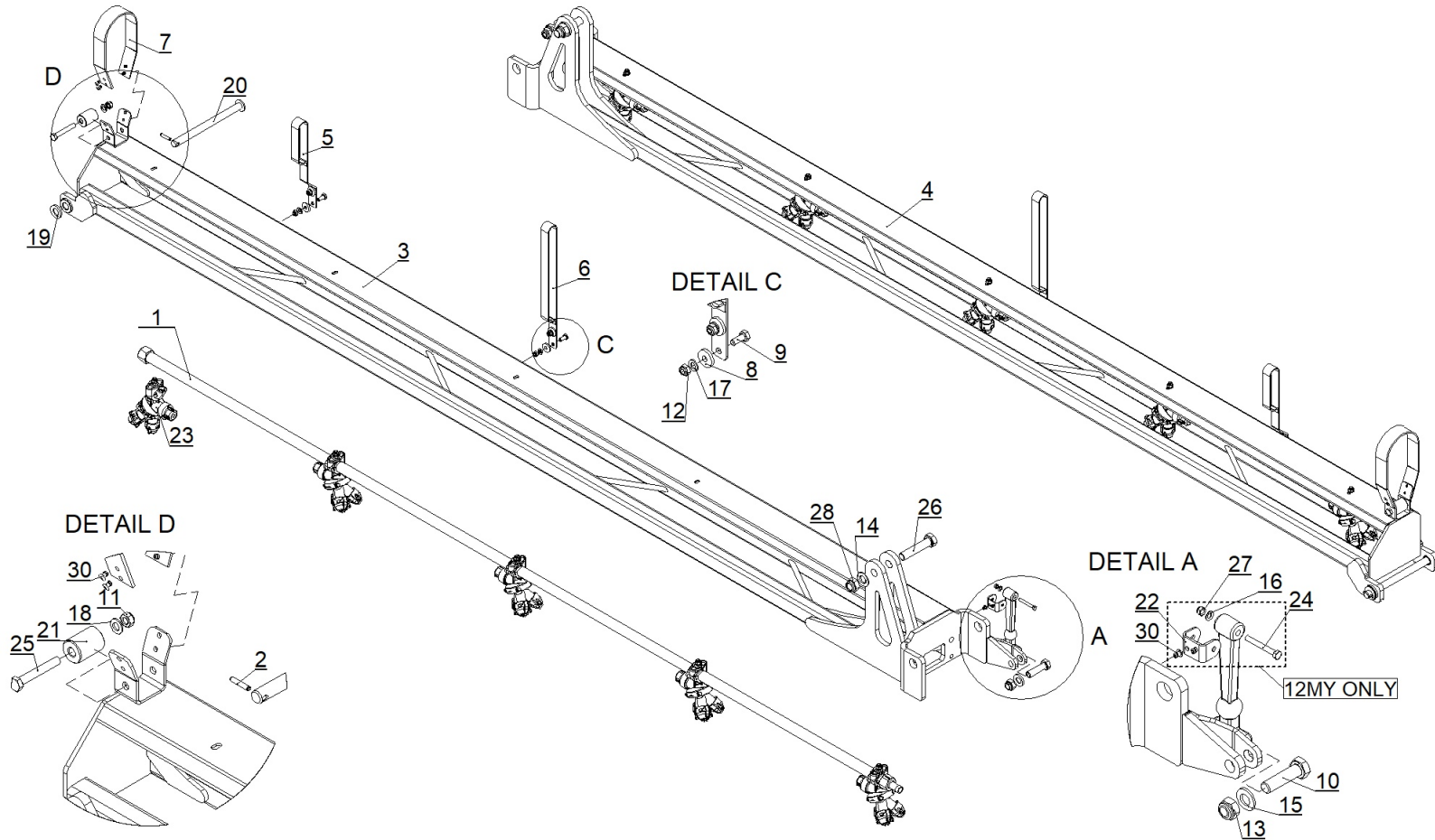


**B05.2-003\_BOOM 1\_12MY**



**B05.2-003\_BOOM 1\_12MY**

Pos.	□	Code	Description	Qty
1	□	014.20.022	CEV ŠKROPILNA PE 5/1+1-tip V	1
2	□	017.37.614	ZATIC VZMETNI 5x24(Ni) DIN 1481	1
3	□	018.01.243	ARM 1-L 12 MY	1
4	□	018.01.244	ARM 1-R 12 MY	1
5	□	019.07.088	GUIDER PLETENICE 1	1
6	□	019.07.089	GUIDER PLETENICE 2	1
7	□	019.07.090	GUIDER PLETENICE 3	1
8	□	019.11.026	TESNILO fi 19 x fi 6 x 3	4
9	□	019.31.001	VIJAK M6x15(8.8Zn)DIN933	4
10	□	019.31.418	SCREW M12x45 (8.8 Zn) DIN 931	1
11	□	019.33.019	Matica M8 (8.8 Zn) DIN 985	1
12	□	019.33.027	Matica M6 (8.8 Zn) DIN 985	4
13	□	019.33.030	Matica M12 (8.8 Zn) DIN 985	1
14	□	019.35.004	PODLOŽKA 17,0(8.8Zn)DIN125-A	1
15	□	019.35.009	Podložka 13 (Zn) DIN 125	1
16	□	019.35.011	PODLOŽKA 5,3(8.8Zn)DIN125-A	1
17	□	019.35.012	PODLOŽKA 6,4(8.8Zn)DIN125-A	4
18	□	019.35.013	PODLOŽKA 8,4(8.8Zn)DIN125-A	1
19	□	019.35.028	Podložka 15 (Zn) DIN 125	1
20	□	019.36.241	AXLE ROKE 2	1

**B05.2-003\_BOOM 1\_12MY**

Pos.	□	Code	Description	Qty
21	□	019.42.065	LITTLE WHEEL fi 25x34	1
22	□	209008/2	BRACKET ZAPENJALCA-SPODNJI TC10	1
23	□	253024	ŠOBA MEMBR.TRI-JET -KPL.ST110-02,04,06	5
24	□	540010	SCREW M5x40 (8.8 Zn) DIN 931	1
25	□	540231	Vijak M8x55 (8.8 Zn) DIN 931	1
26	□	540408	SCREW M16x75 (8.8 Zn) DIN 931	1
27	□	540605	Matica M5 (8.8 Zn) DIN 985	1
28	□	540616	Matica M16 (8.8 Zn) DIN 985	1
29	□	547145	ZAPENJALEC POKROVA MOTORJA	1
30	□	568004	RIVET BLOK fi4,0 X 7,6 - INOX DIN 7337 A	6