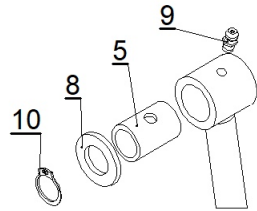
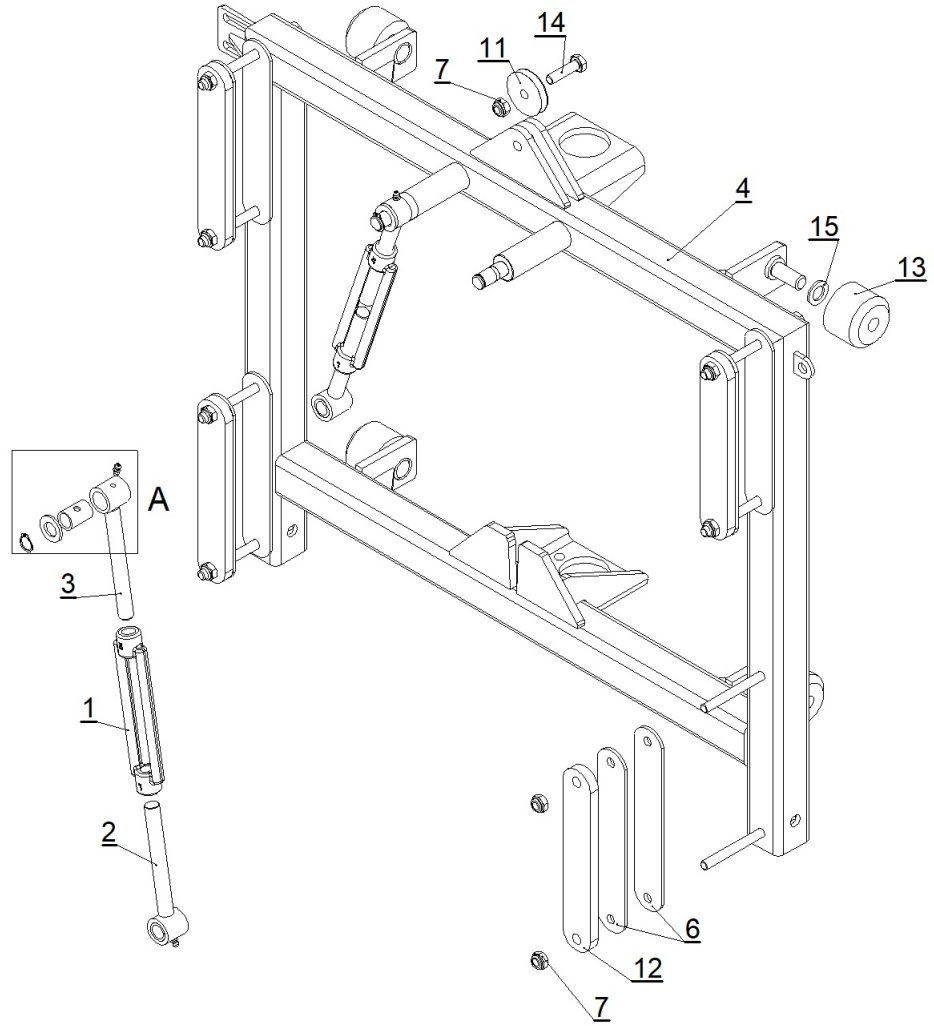
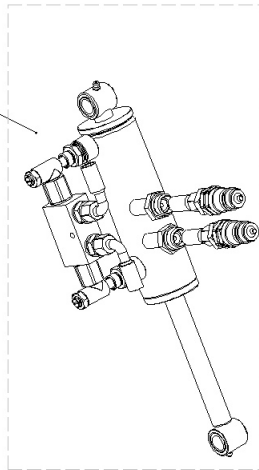


B04.3-001_LIFTFRAME BRACKET 10,12,15-MRX

DETAIL A



B04.3-009



B04.3-001_LIFTFRAME BRACKET 10,12,15-MRX

Pos.	□	Code	Description	Qty
1	□	017.33.303	NUT NATEZNA M 16 L=190 (NI PO DIN 1480) MARMET	2
2	□	018.01.193	SPINDLE M16-LEFT	2
3	□	018.01.194	SPINDLE M16-RIGHT	2
4	□	018.01.226	BRACKET RAME	1
5	□	019.20.008	BUSHING LEŽAJNA fi20,8/fi16x30	4
6	□	019.20.009	GUIDER DRSNO 200	8
7	□	019.33.022	Matica M10 (8.8 Zn) DIN 985	9
8	□	019.35.004	PODLOŽKA 17,0(8.8Zn)DIN125-A	2
9	□	019.37.902	MAZALKA AM 6 RAVNA DIN 71412 (00492)	4
10	□	019.39.005	VSKOČNIK AS 16 x 1,00 ZUN. DIN 471	2
11	□	019.42.019	VRVENICA FI50 X 10	1
12	□	019.49.050	HOLDER GARNITURE 200	4
13	□	019.49.107	WHEEL FI60/FI16 X 44 -AI	4
14	□	540350	VIJAK M10x40(8.8Zn)DIN931	1
15	□	540457	PODLOŽKA 17,0(ZN)DIN433	4