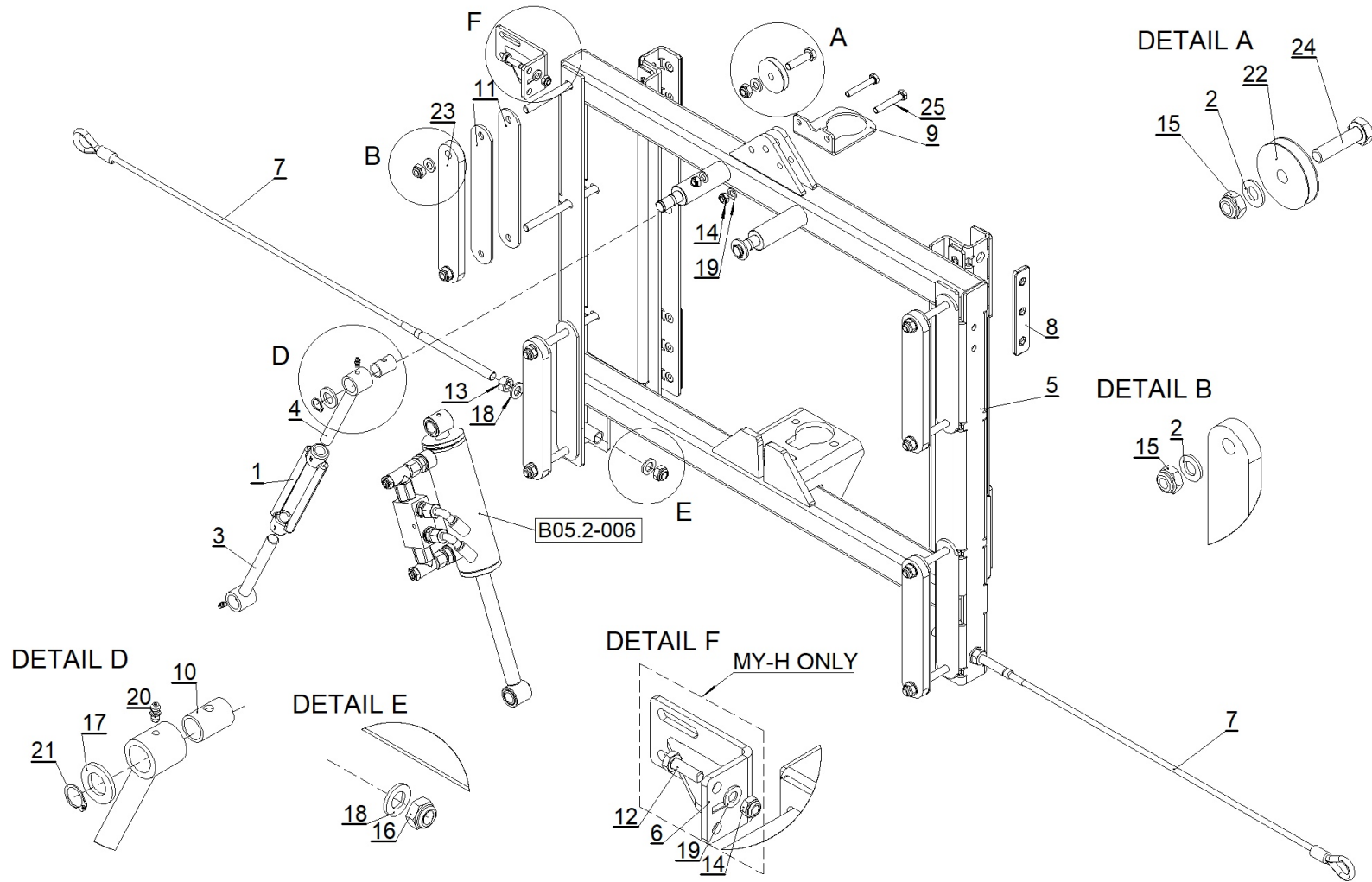


**B05.3-001\_LIFTFRAME BRACKET 12MY**



**B05.3-001\_LIFTFRAME BRACKET 12MY**

Pos.	□	Code	Description	Qty
1	□	017.33.303	NUT NATEZNA M 16 L=190 (NI PO DIN 1480) MARMET	1
2	□	017.35.001	Podložka 10,5 (Zn) DIN 125	9
3	□	018.01.193	SPINDLE M16-LEFT	1
4	□	018.01.194	SPINDLE M16-RIGHT	1
5	□	018.01.226	BRACKET RAME	1
6	□	018.01.762	BRACKET VENTILA	1
7	□	018.40.030	WIRE ROPE fi 8 (17x7+SE)	2
8	□	019.01.238	DRSNIK 140 x 28 x 6	12
9	□	019.07.321	GUIDER PLUNŽERJA MRX, MY, MY-H	1
10	□	019.20.008	BUSHING LEŽAJNA fi20,8/fi16x30	1
11	□	019.20.009	GUIDER DRSNO 200	8
12	□	019.31.101	VIJAK M8x25(8.8Zn)DIN933	2
13	□	019.33.006	Matica M12 (8.8 Zn) DIN 934	2
14	□	019.33.019	Matica M8 (8.8 Zn) DIN 985	4
15	□	019.33.022	Matica M10 (8.8 Zn) DIN 985	9
16	□	019.33.030	Matica M12 (8.8 Zn) DIN 985	2
17	□	019.35.004	PODLOŽKA 17,0(8.8Zn)DIN125-A	2
18	□	019.35.009	Podložka 13 (Zn) DIN 125	4
19	□	019.35.013	PODLOŽKA 8,4(8.8Zn)DIN125-A	4
20	□	019.37.902	MAZALKA AM 6 RAVNA DIN 71412 (00492)	2

**B05.3-001\_LIFTFRAME BRACKET 12MY**

Pos.	□	Code	Description	Qty
21	□	019.39.005	VSKOČNIK AS 16 x 1,00 ZUN. DIN 471	2
22	□	019.42.019	VRVENICA FI50 X 10	1
23	□	019.49.050	HOLDER GARNITURE 200	4
24	□	540350	VIJAK M10x40(8.8Zn)DIN931	1
25	□	540252	SCREW M8x50 (8.8 Zn) DIN 933	2