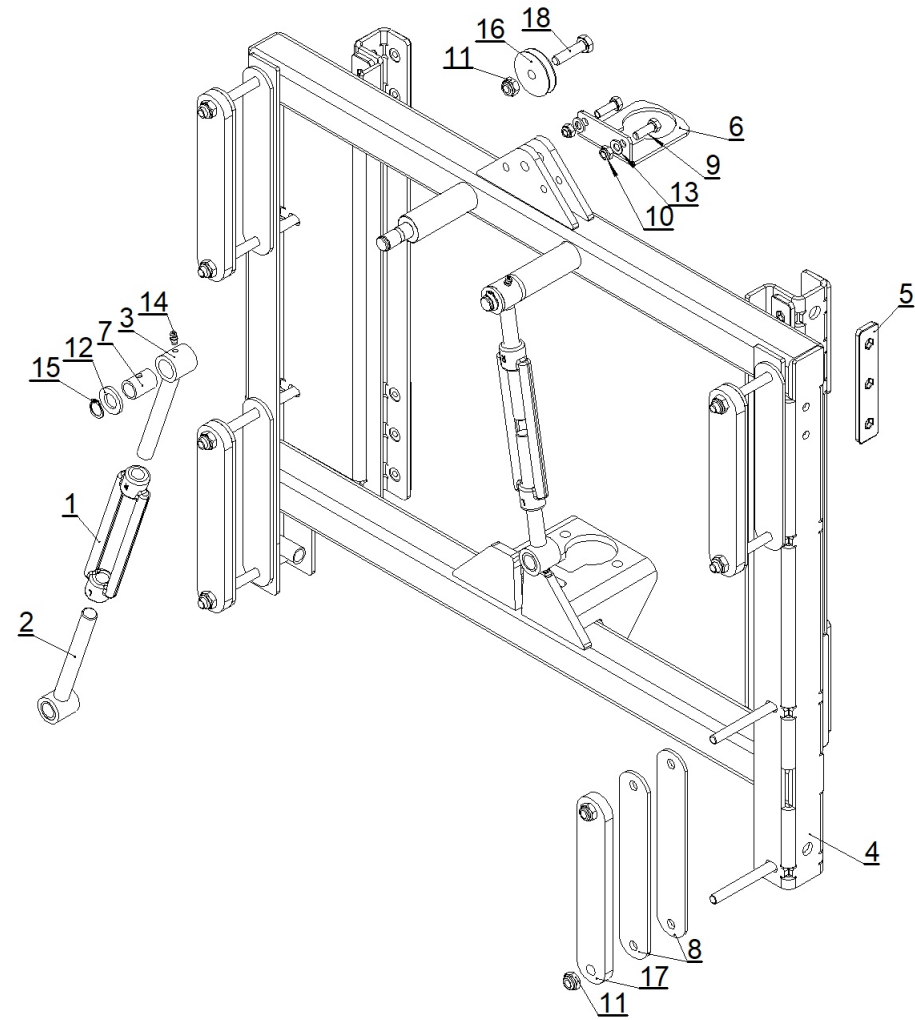
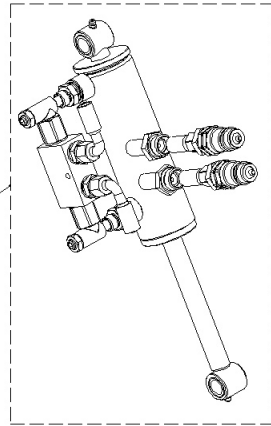


B04.4-001_LIFTRAME BRACKET_10,12,15-MRX

B04.3-009



B04.4-001_LIFTRAME BRACKET_10,12,15-MRX

Pos.	□	Code	Description	Qty
1	□	017.33.303	NUT NATEZNA M 16 L=190 (NI PO DIN 1480) MARMET	2
2	□	018.01.193	SPINDLE M16-LEFT	2
3	□	018.01.194	SPINDLE M16-RIGHT	2
4	□	018.01.226	BRACKET RAME	1
5	□	019.01.238	DRSNIK 140 x 28 x 6	12
6	□	019.07.321	GUIDER PLUNŽERJA MRX, MY, MY-H	1
7	□	019.20.008	BUSHING LEŽAJNA fi20,8/fi16x30	4
8	□	019.20.009	GUIDER DRSNO 200	8
9	□	019.31.101	VIJAK M8x25(8.8Zn)DIN933	2
10	□	019.33.019	Matica M8 (8.8 Zn) DIN 985	2
11	□	019.33.022	Matica M10 (8.8 Zn) DIN 985	9
12	□	019.35.004	PODLOŽKA 17,0(8.8Zn)DIN125-A	2
13	□	019.35.013	PODLOŽKA 8,4(8.8Zn)DIN125-A	2
14	□	019.37.902	MAZALKA AM 6 RAVNA DIN 71412 (00492)	4
15	□	019.39.005	VSKOČNIK AS 16 x 1,00 ZUN. DIN 471	2
16	□	019.42.019	VRVENICA FI50 X 10	1
17	□	019.49.050	HOLDER GARNITURE 200	4
18	□	540350	VIJAK M10x40(8.8Zn)DIN931	1