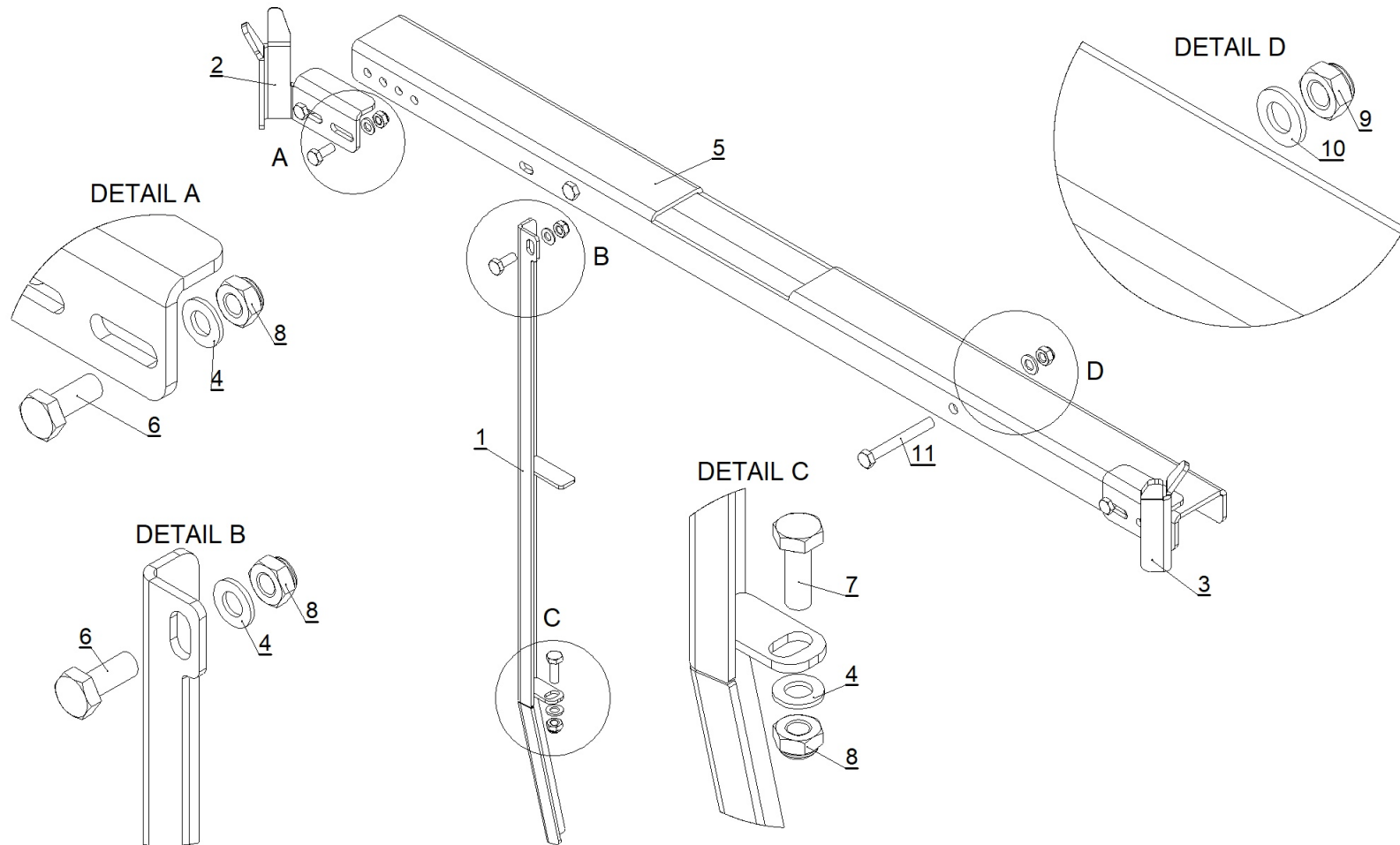


B05.2-007_HYDRAULIC LIFT SUPPORT 12MY-H



B05.2-007_HYDRAULIC LIFT SUPPORT 12MY-H

Pos.	□	Code	Description	Qty
1	□	016.01.092	VODILO KOLESKA 12 MY (HID. DVIG)	1
2	□	017.07.067	VAROVALO L	1
3	□	017.07.068	VAROVALO D	1
4	□	017.35.001	Podložka 10,5 (Zn) DIN 125	6
5	□	019.07.178	JAREM 83x50x1320	1
6	□	019.31.301	VIJAK M10x25(8.8Zn)DIN933	5
7	□	019.31.302	VIJAK M10x30(10.9Zn)DIN933	1
8	□	019.33.022	Matica M10 (8.8 Zn) DIN 985	6
9	□	019.33.030	Matica M12 (8.8 Zn) DIN 985	2
10	□	019.35.009	Podložka 13 (Zn) DIN 125	2
11	□	540088	VIJAK M12x100(8.8Zn)DIN931	2