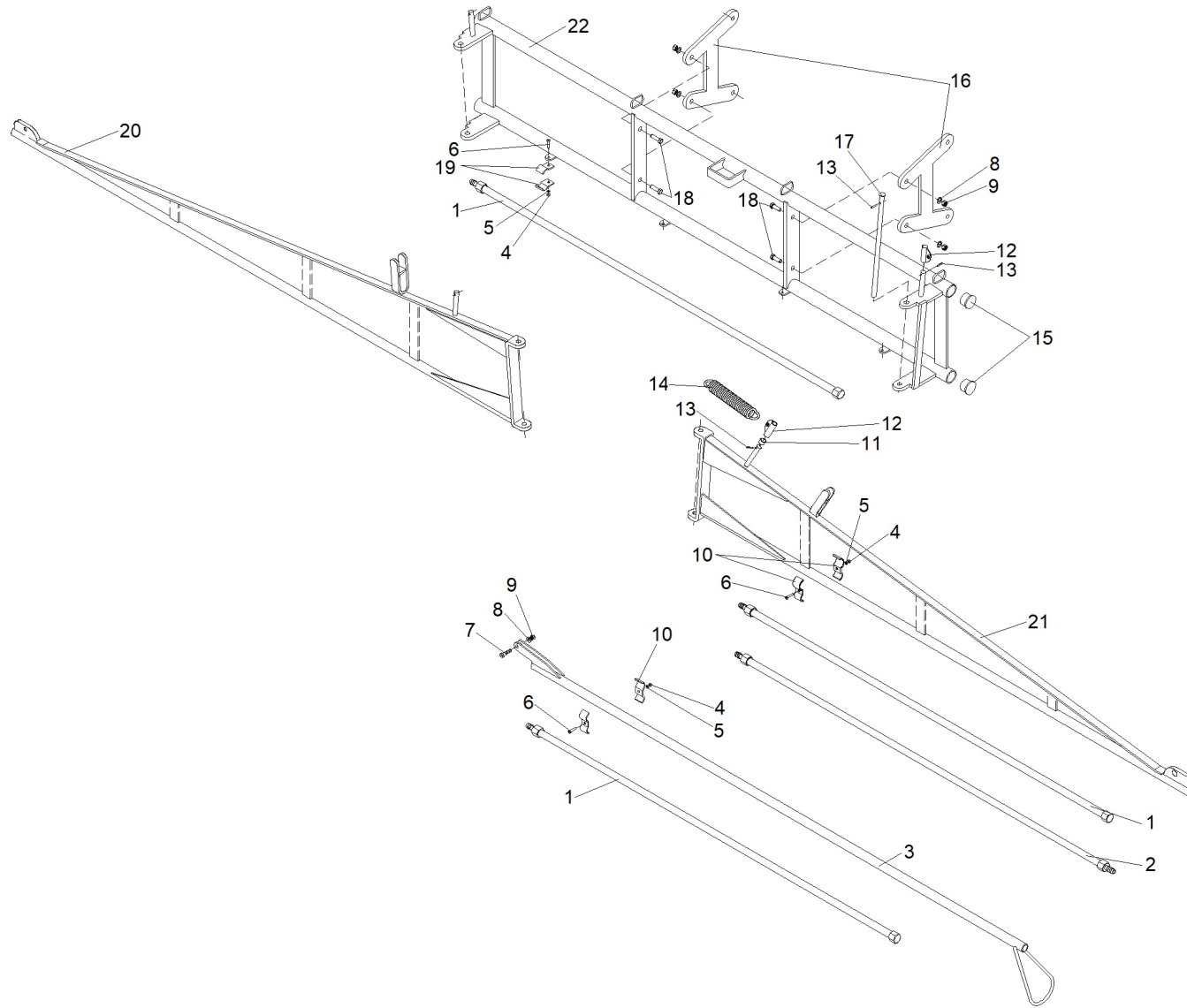


SPRAYER BOOM 10M



SPRAYER BOOM 10M

Pos.	□	Code	Description	Qty
1	□	014.20.022	CEV ŠKROPILNA PE 5/1+1-tip V	5
2	□	014.20.023	TUBE ŠKROPILNA PE 5/2-fi13	2
3	□	018.01.055	ARM 2	2
4	□	019.33.027	Matica M6 (8.8 Zn) DIN 985	20
5	□	019.35.012	PODLOŽKA 6,4(8.8Zn)DIN125-A	20
6	□	019.31.002	VIJAK M6x25(8.8Zn)DIN933	20
7	□	540261	SCREW M10x32 - bruniran	2
8	□	019.35.009	Podložka 13 (Zn) DIN 125	4
9	□	019.33.030	Matica M12 (8.8 Zn) DIN 985	4
10	□	017.07.003	""OBJEMKA NOSILNA fi 3/4"" - fi1/2""	32
11	□	019.49.096	DISTANČNIK fi18/fi15x10	2
12	□	019.07.015	NOSILEC VZMETI	4
13	□	543336	ZATIC VZMETNI 5x20(Ni) DIN 1481	6
14	□	019.36.409	VZMET NAT fi.40x133	2
15	□	019.01.005	""TAP fi 5_4"" PVC""	4
16	□	018.01.410	BRACKET GARNITURE 10/12m	2
17	□	019.36.223	BOLT Z GLAVO fi14x322	2
18	□	019.31.407	Vijak M12x35 (8.8 Zn) DIN 933	4
19	□	017.07.011	""POLOBJEMKA NOSILNA fi 1/2""	8
20	□	018.01.054.1	ARM 1-LEFT	1

SPRAYER BOOM 10M

Pos.	□	Code	Description	Qty
21	□	018.01.054.2	ARM 1-RIGHT	1
22	□	018.01.140	PENDULUM FRAME	1