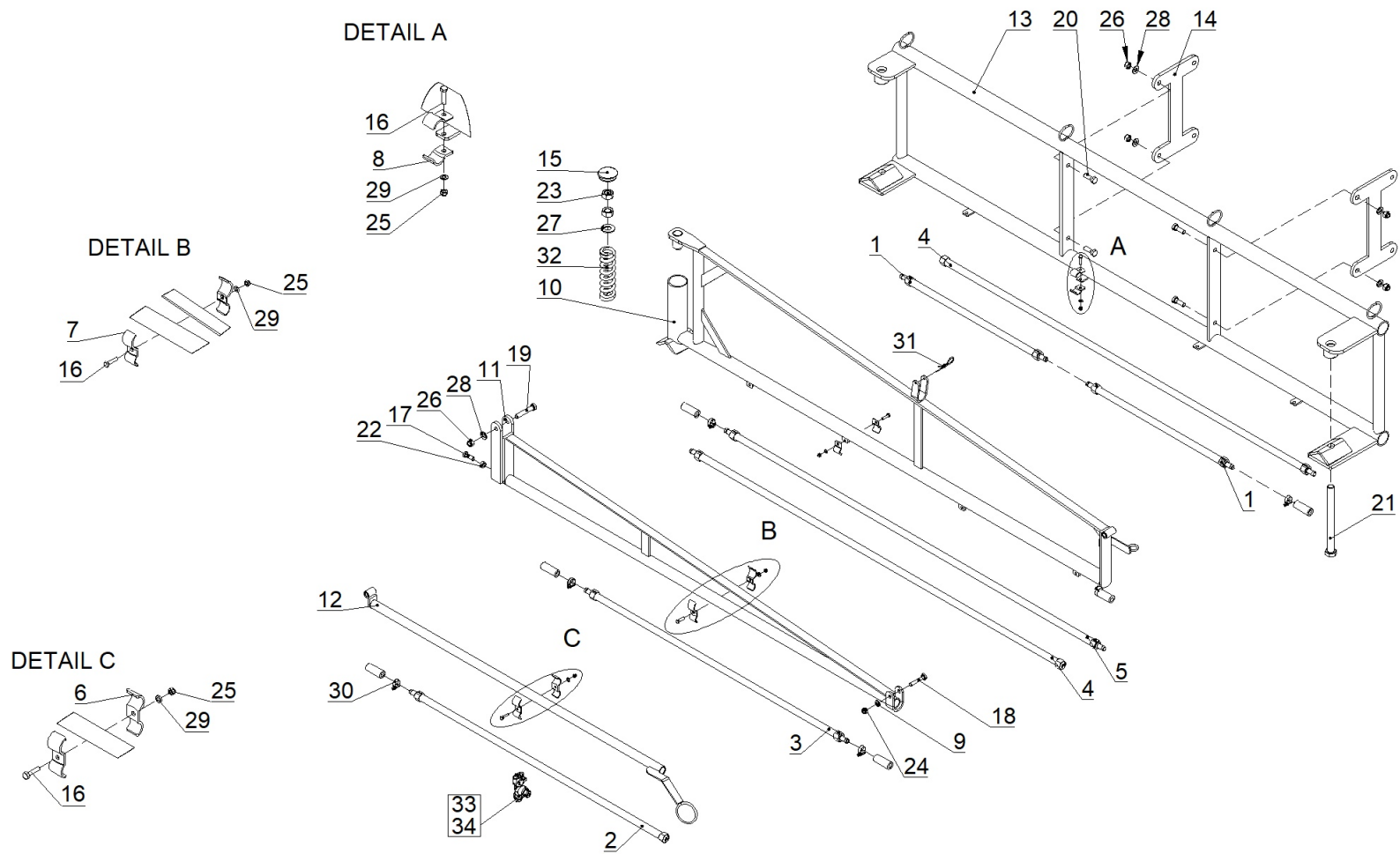


SPRAYER BOOM 12M



SPRAYER BOOM 12M

Pos.	Code	Description	Unit	Qty
1	014.20.018	CEV ŠKROPILNA PE 3/1+1-tip V		0
2	014.20.019	TUBE ŠKROPILNA PE 3/2-tip V		0
3	014.20.020	CEV ŠKROPILNA PE 4/1+1-tip V		0
4	014.20.021	TUBE ŠKROPILNA PE 4/2-tip V		0
5	017.07.002	*****CLAMP NOSILNA fi 1***** - fi1/2*****		0
6	017.07.003	****OBJEMKA NOSILNA fi 3/4***** - fi1/2*****		0
7	017.07.011	****POLOBJEMKA NOSILNA fi 1/2*****		0
8	017.35.001	Podložka 10,5 (Zn) DIN 125		0
9	018.01.057	ARM 1		0
10	018.01.058	ARM 2 12m-P		0
11	018.01.059	ARM 3 12m-R		0
12	018.01.141	PENDULUM FRAME 12m/P		0
13	018.01.411	BRACKET GARNITURE 12		0
14	019.01.039	*****TAP fi 2***** - PVC*****		0
15	019.31.002	VIJAK M6x25(8.8Zn)DIN933		0
16	019.31.302	VIJAK M10x30(10.9Zn)DIN933		0
17	019.31.309	SCREW M10x55 (8.8 Zn) DIN 931		0
18	019.31.405	SCREW M12x70 (8.8 Zn) DIN 931		0
19	019.31.407	Vijak M12x35 (8.8 Zn) DIN 933		0
20	019.31.701	SCREW M20x240 (8.8 Zn) DIN 933		0

SPRAYER BOOM 12M

Pos.	□	Code	Description	Unit	Qty
21	□	019.33.002	MATICA M10(8.8Zn)DIN934		0
22	□	019.33.003	Matica M20 (8.8 Zn) DIN 934		0
23	□	019.33.022	Matica M10 (8.8 Zn) DIN 985		0
24	□	019.33.027	Matica M6 (8.8 Zn) DIN 985		0
25	□	019.33.030	Matica M12 (8.8 Zn) DIN 985		0
26	□	019.34.006	WASHER DIST. fi40/fi20		0
27	□	019.35.009	Podložka 13 (Zn) DIN 125		0
28	□	019.35.012	PODLOŽKA 6,4(8.8Zn)DIN125-A		0
29	□	019.35.201	OBJEMKA fi12-fi22		0
30	□	019.36.316	ZATIK R fi3 DIN 11024(BN915)		0
31	□	019.36.413	SPRING TL.fi48xfi28x170		0
32	□	019.62.003	CEV PLAST. fi13x23	m	0
33	□	253018	*****NOZZLE MEMBR.fi1/2*****-KPL.*****		0