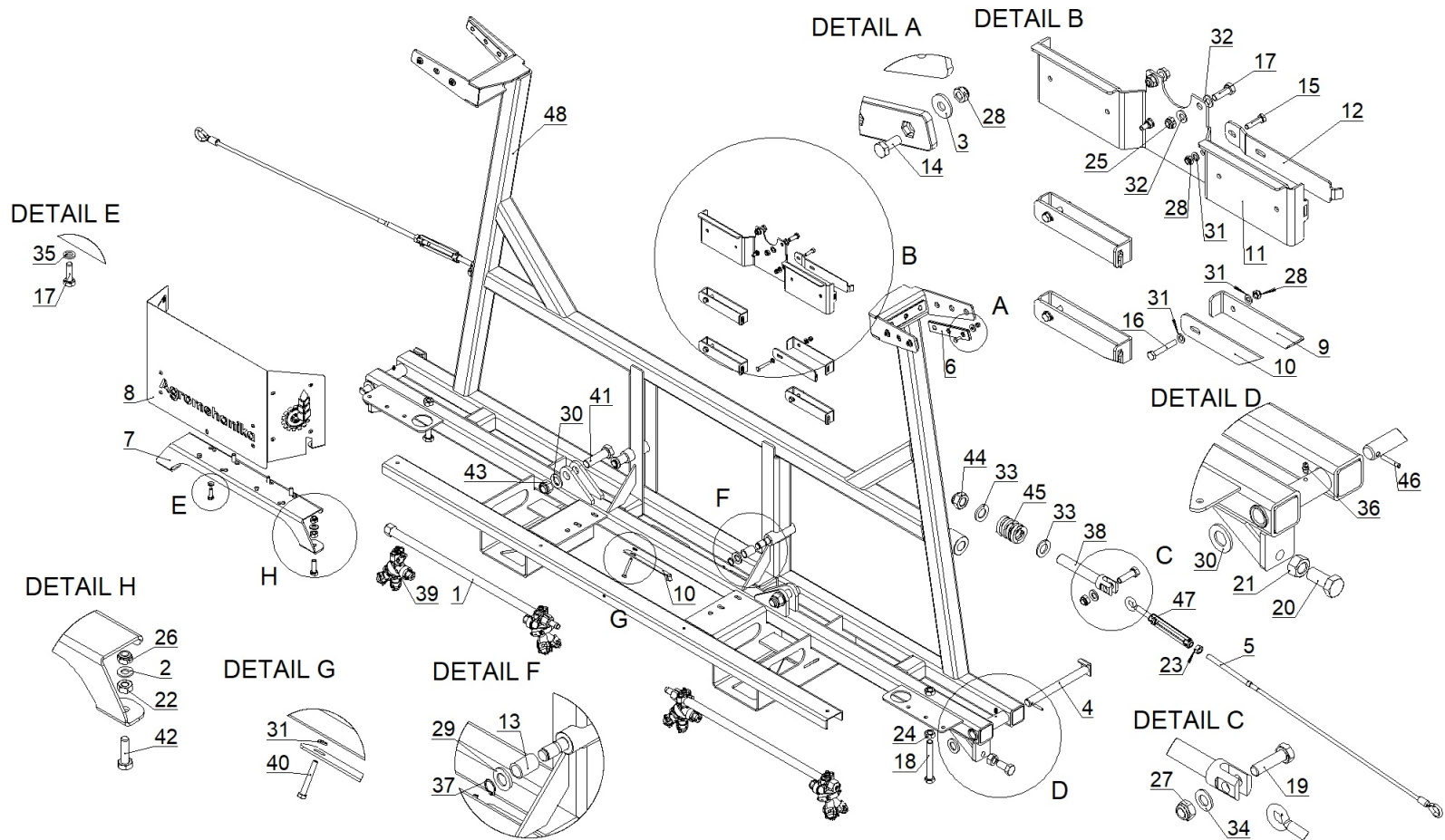


B05.2-002_LIFTFRAME 12MY



B05.2-002_LIFTFRAME 12MY

Pos.	□	Code	Description	Qty
1	□	014.20.016	CEV ŠKROPILNA PE 2/1+1-tip V	2
2	□	017.35.001	Podložka 10,5 (Zn) DIN 125	2
3	□	017.35.002	PODLOŽKA 6,4(ZN)DIN9021	12
4	□	018.01.251	AXLE ROKE 1	2
5	□	018.40.026	WIRE ROPE fi 8 (17x7+SE)	2
6	□	019.01.238	DRSNIK 140 x 28 x 6	6
7	□	019.07.123	BRACKET EM VENTILOV	1
8	□	019.07.173	PROTECTION EL.-MAG. VENTILOV	1
9	□	019.07.194	PROFIL PRITRDILNI 2	4
10	□	019.07.195	PROFIL ZAPORNI 1	6
11	□	019.07.197	NOSILEC GIBLJIVIH CEVI-GORNJI	1
12	□	019.07.198	PROFIL ZAPORNI 2	2
13	□	019.20.008	BUSHING LEŽAJNA fi20,8/fi16x30	2
14	□	019.31.001	VIJAK M6x15(8.8Zn)DIN933	12
15	□	019.31.002	VIJAK M6x25(8.8Zn)DIN933	2
16	□	019.31.044	VIJAK M6x40(8.8Zn)DIN933	4
17	□	019.31.101	VIJAK M8x25(8.8Zn)DIN933	6
18	□	019.31.505	SCREW M14x110 (8.8 Zn) DIN 933	2
19	□	019.31.514	SCREW M14x50 (8.8 Zn) DIN 931	2
20	□	019.31.605	SCREW M16x35 (8.8 Zn) DIN 933	2

B05.2-002_LIFTFRAME 12MY

Pos.	□	Code	Description	Qty
21	□	019.33.001	Matica M16 (8.8 Zn) DIN 934	2
22	□	019.33.002	MATICA M10(8.8Zn)DIN934	2
23	□	019.33.006	Matica M12 (8.8 Zn) DIN 934	2
24	□	019.33.009	MATICA M14(8.8Zn)DIN934	2
25	□	019.33.019	Matica M8 (8.8 Zn) DIN 985	2
26	□	019.33.022	Matica M10 (8.8 Zn) DIN 985	2
27	□	019.33.023	Matica M14 (8.8 Zn) DIN 985	2
28	□	019.33.027	Matica M6 (8.8 Zn) DIN 985	20
29	□	019.35.004	PODLOŽKA 17,0(8.8Zn)DIN125-A	2
30	□	019.35.008	PODLOŽKA 21,0(8.8Zn)DIN125-A	4
31	□	019.35.012	PODLOŽKA 6,4(8.8Zn)DIN125-A	14
32	□	019.35.013	PODLOŽKA 8,4(8.8Zn)DIN125-A	4
33	□	019.35.023	PODLOŽKA 25,0(8.8Zn)DIN125-A	4
34	□	019.35.028	Podložka 15 (Zn) DIN 125	2
35	□	019.35.501	PODLOŽKA 8,0(ZN)DIN127-B	4
36	□	019.37.902	MAZALKA AM 6 RAVNA DIN 71412 (00492)	2
37	□	019.39.005	VSKOČNIK AS 16 x 1,00 ZUN. DIN 471	2
38	□	019.49.076	STRAINER M24	2
39	□	253024	ŠOBA MEMBR.TRI-JET -KPL.ST110-02,04,06	4
40	□	540020	VIJAK M6x45(8.8Zn)DIN931	2

B05.2-002_LIFTFRAME 12MY

Pos.	□	Code	Description	Qty
41	□	540297	SCREW M20x70 (8.8 Zn) DIN 931	2
42	□	540357	Vijak M10x35 (10.9) DIN 933	2
43	□	540619	NUT M20 (8.8 Zn) DIN 985	2
44	□	540624	Matica M24 (8.8 Zn) DIN 985	2
45	□	541049	SPRING TL.fi 49/fi 25x 65	2
46	□	543338	ZATIC VZMETNI 5x30(Ni) DIN 1481	2
47	□	568501	NUT NATEZNA M 12 (Z LEVIM OČESOM)) Lmatice=140	2
48	□	018.01.242	PENDULUM FRAME 12MY	1